

Archer 3 Tap-hole Basin

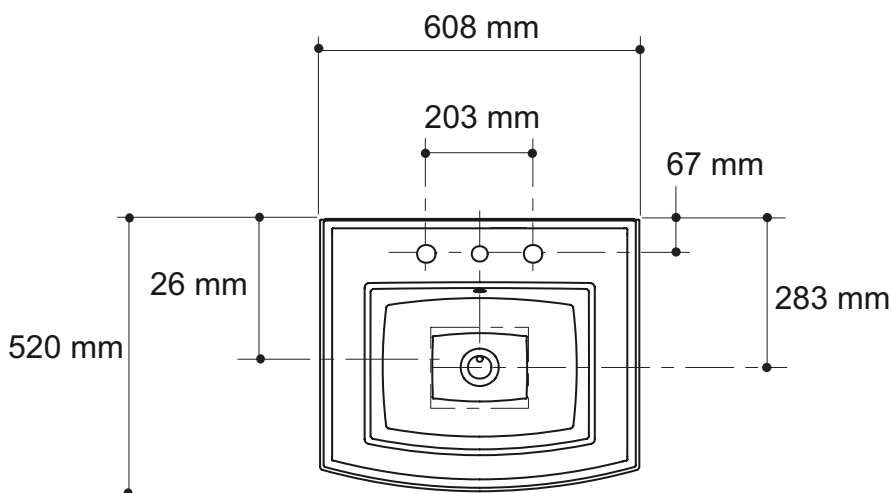
Designed to coordinate with the Archer petite vanity, the Archer 3 tap-hole basin features transitional aesthetic of the Archer Suite, blending subtle design elements found in craftsman furniture's chamfering techniques and the intricate facets of jewellery.



| | |
|-----------------------|---|
| Product | 2358 Archer 3 tap-hole basin, 610 mm x 521 mm x 889 mm |
| Colours/finishes | White (-0) |
| Material | Vitreous china |
| Weight (kg) | |
| Fixings | Fixings included |
| Complimentary items | 2449-F2 Archer petite vanity |
| Design linked items | |
| Recommended brassware | Memoirs and Revival ranges |

To order, please use the product code and add the colour/finish reference, eg. -00 for white.

Dimensions



All measurements shown are in millimetres.
Sizes are approximate.

P5977/1